

MICRO SWITCH

A DIVISION OF MINNEAPOLIS HONEYWELL REGULATORY COMPANY
 FREEPORT ILLINOIS
 FED MFR. CODE 91929

SWITCH-BASIC

CATALOG LISTING

ITBI-1

(M) ITBI-1
 ISSUE 6

ITBI-1

M

DRAWING NUMBER

ISSUE 8/10/11

REPLACES

RELEASE NO

82055

CHECK

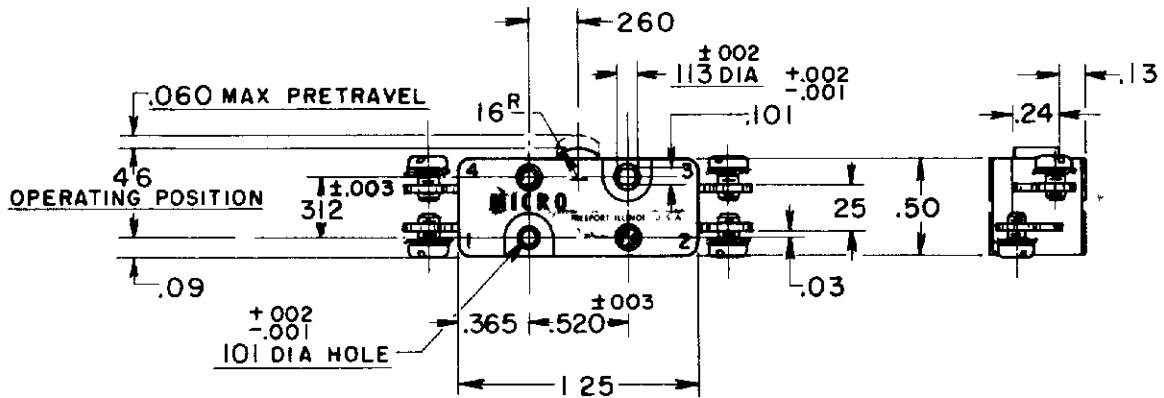
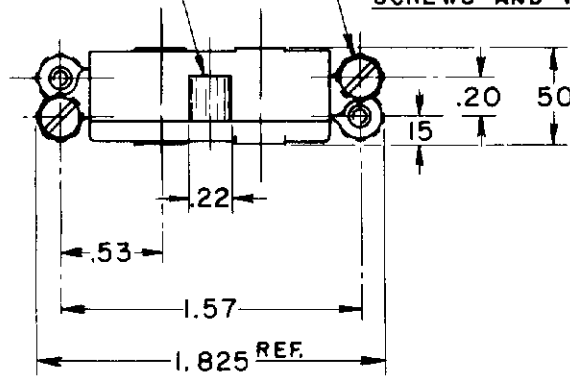
8/10/11

REVISIONS

A	INI W DWG	27 JULY 55
B	CO33498	14 MAY 74
C	CO36022	29 OCT 75
D	CO39824	18 SEPT 86
E	CO78226	17 OCT 94

PLASTIC PLUNGER

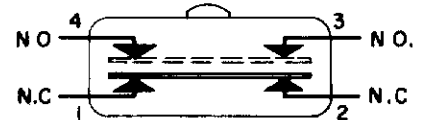
4-48 NF x .156^{REF} PAN HEAD TERMINAL SCREWS AND WASHERS (SEMS).



NOTE -

- 1-TERMINALS 1 AND 2 NORMALLY CLOSED CIRCUIT
- 2-TERMINALS 3 AND 4 NORMALLY OPEN CIRCUIT

THIS DRAWING COVERS A PROPRIETARY ITEM AND IS THE PROPERTY OF MICRO SWITCH A DIVISION OF HONEYWELL THIS DRAWING IS NOT TO BE COPIED OR USED WITHOUT THE APPROVAL OF MICRO SWITCH



CIRCUIT DIAGRAM

CHARACTERISTICS

OPERATING FORCE	7 - 14 OZ
RELEASE FORCE	4 OZ. MIN.
DIFFERENTIAL TRAVEL	.010-.025
OVERTRAVEL	.010 MIN.

ELECTRICAL DATA

CONTACT ARRANGEMENT
 SEE CIRCUIT DIAGRAM

L25 10A-125 OR 250 VAC
 #2HP-125 VAC



SCALE FULL

DO NOT SCALE PRINT

UNLESS OTHERWISE SPECIFIED
 DIMENSIONS ARE IN INCHES
TOLERANCES ARE-

ONE PLACE (0)	±.030
TWO PLACE (.00)	±.015
THREE PLACE (.000)	±.005
ANGLES	±

WEIGHT

DRAWN

R L Z. 27 JULY 55